

Interface PCB

Accessory Connector

PROCESSOR DSP AUDIO

252 SHEET 4

RECEIVER

246 GND RX-ANT SHEET 3

SYNTH-VCO

2922 GND SHEET 5

POWER-AMP

93 GND RX-ANT SHEET 2

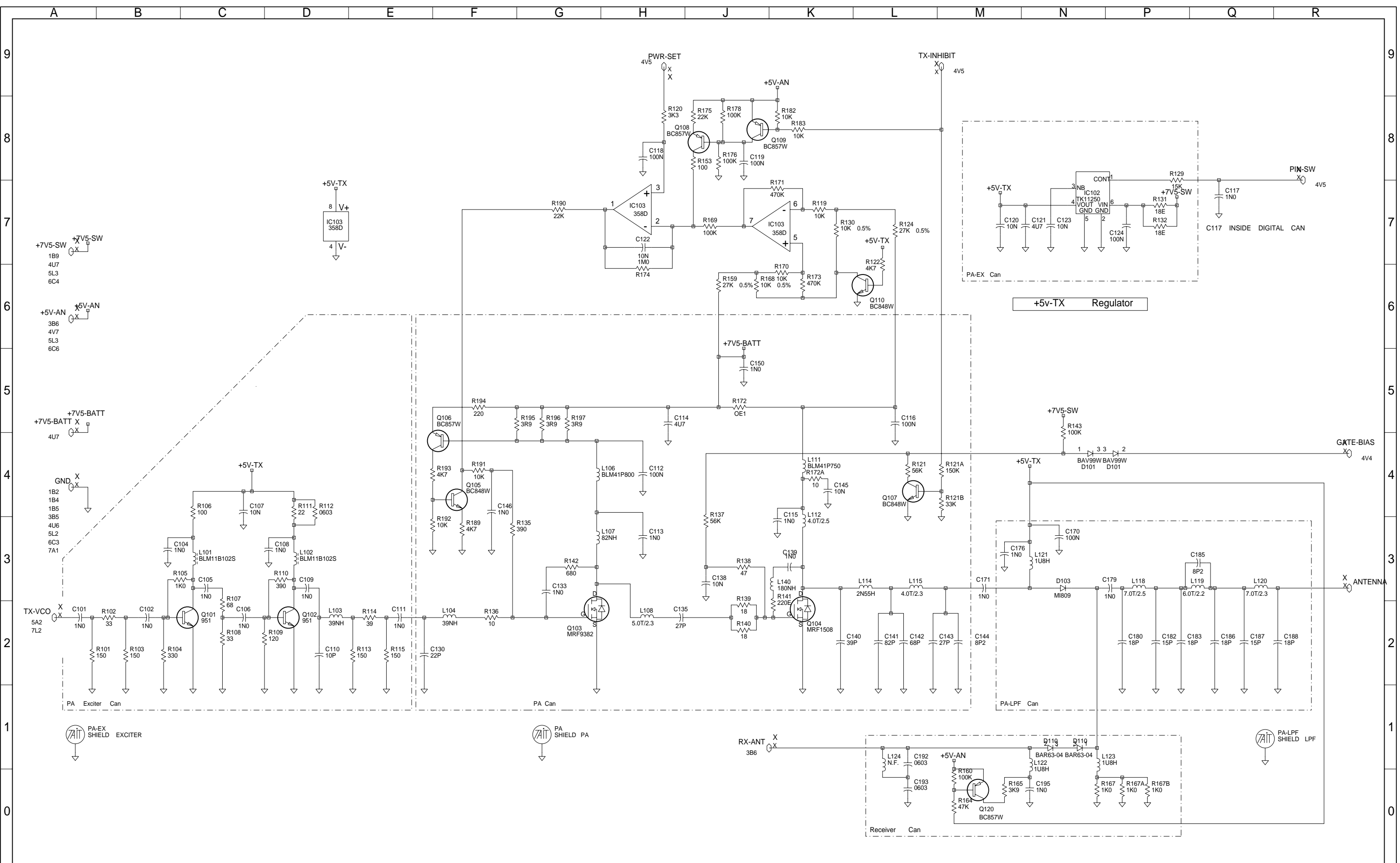
VCO

sheet 6

01A	NEW PA LINEUP	BCS/CJK			12/02/99
REV/ISS	AMENDMENTS	DRAWN	CHKD	D.O.	APVD DATE

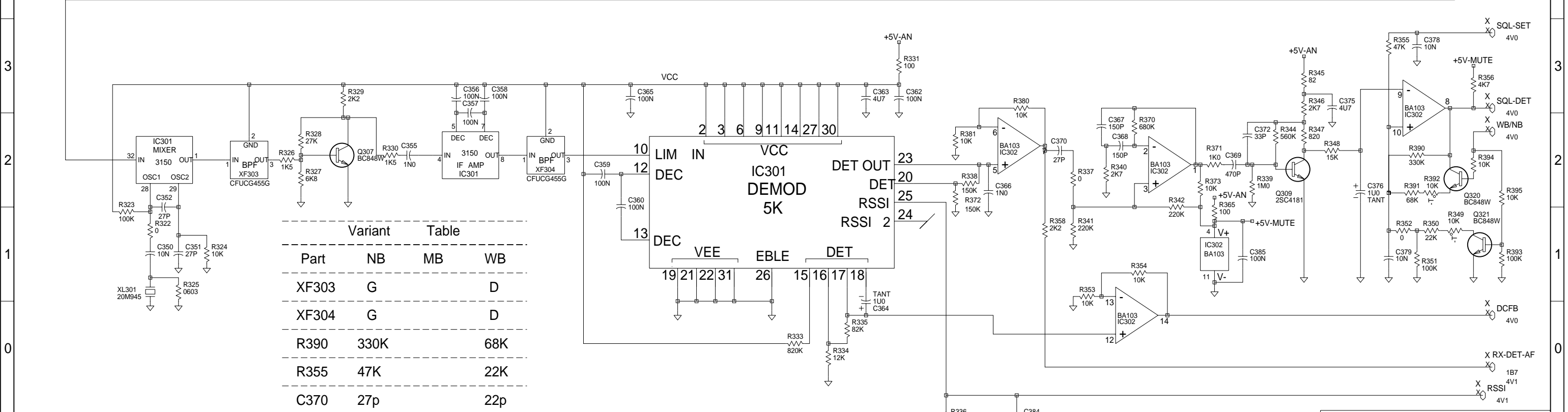
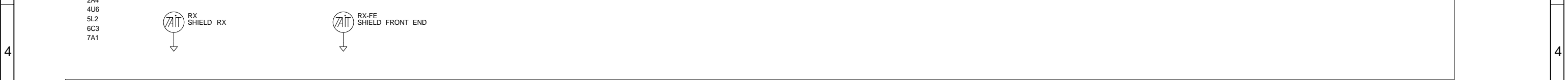
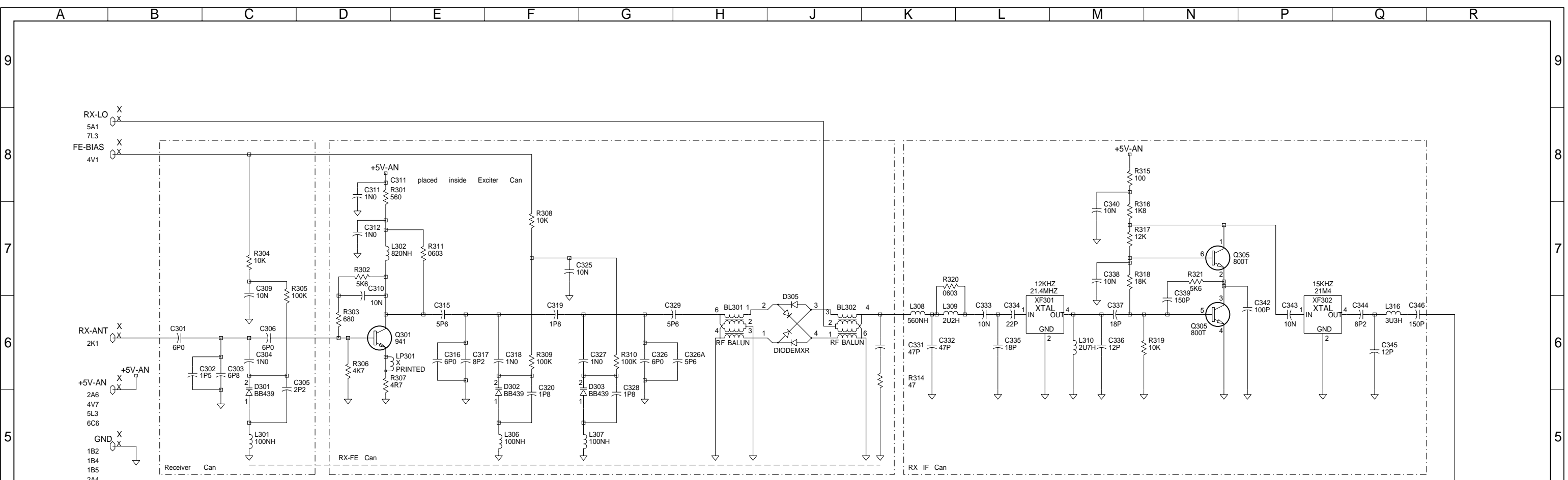
VHF
Tait Orca

© TAIT ELECTRONICS	
ORCA :TP010-3122	136-174MHZ
SYSTEM DIAGRAM	
IPN: 220-01588-01	ISSUE: A
DESIGNER: TAIT ORCA	FILE NAME: CJK
DATE: 12-02-99	NO. SHEETS: 7



01A	NEW PA LINEUP (BC-S)	CJK	X	X	X	12/02/99
REV/ISS	AMENDMENTS	DRAWN	CHKD	D.O.	APVD	DATE

© TAIT ELECTRONICS
 ORCA :TP010-3122 136-174MHZ
 POWER AMPLIFIER
 IPN: 220-01588-01 ISSUE: A ID: 2.S.C. 2
 PROJECT: ORCA DESIGNER: CJK FILE NAME: 158801A FILE DATE: 12-02-99 NO.SHEETS: 7

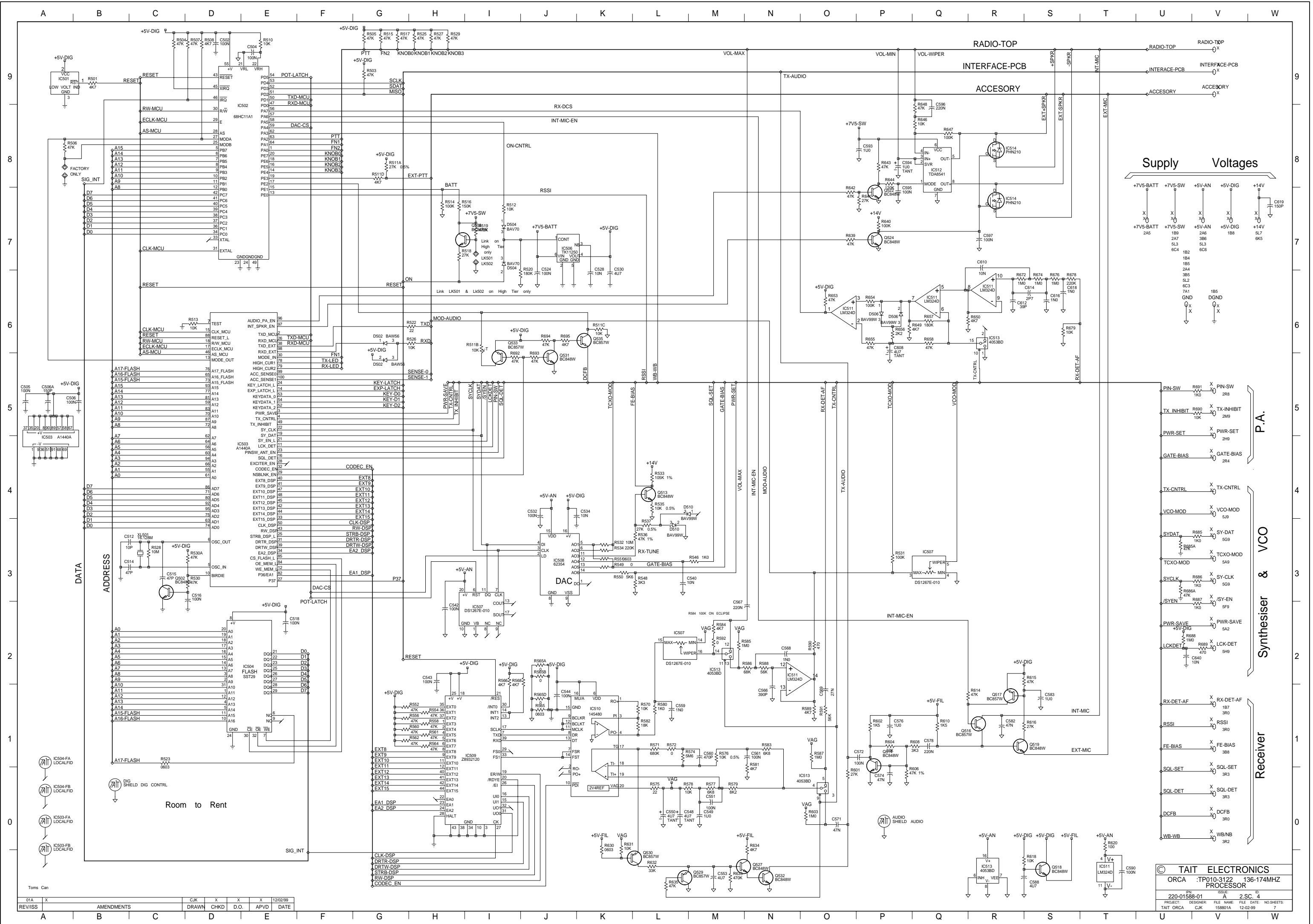


Variant Table

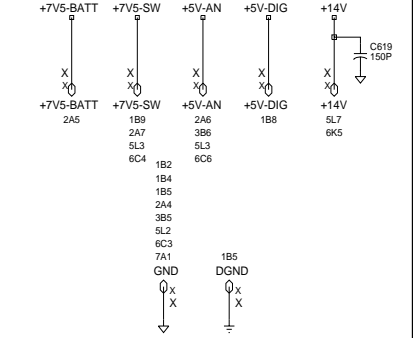
Part	NB	MB	WB
XF303	G		D
XF304	G		D
R390	330K		68K
R355	47K		22K
C370	27p		22p
C369	470p		330p

01A	X	CJK	X	X	X	12/02/99
REV/ISS	AMENDMENTS	DRAWN	CHKD	D.O.	APVD	DATE

© TAIT ELECTRONICS
 ORCA :TP010-3122 136-174MHZ RECEIVER
 IPN: 220-01588-01 ISSUE: A ID: 2.S.C. 3
 PROJECT: TAIT ORCA DESIGNER: CJK FILE NAME: 158801A DATE: 12-02-99 NO.SHEETS: 7



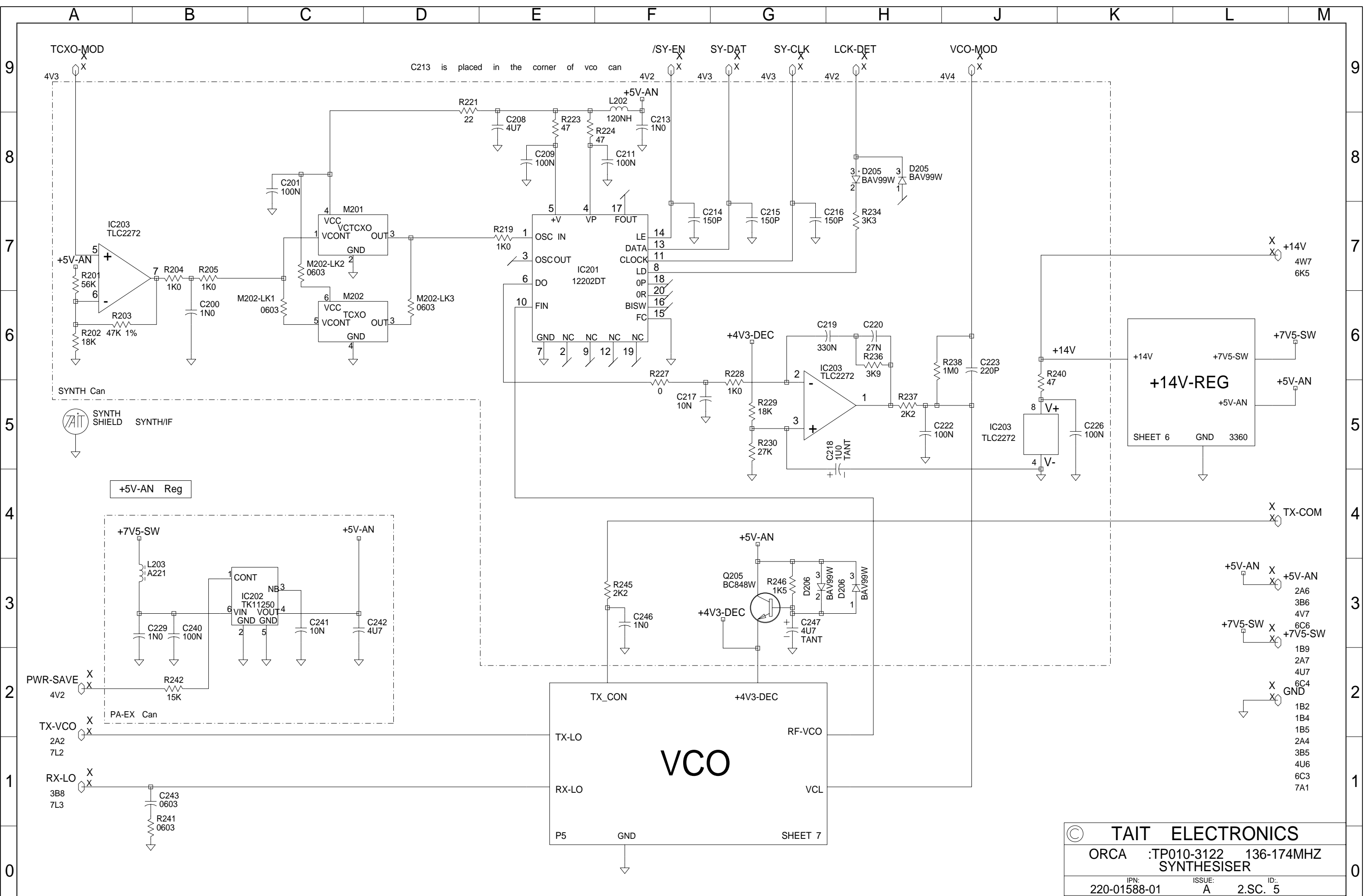
Supply Voltages



Pin	Signal Name	Component
182	PIN-SW	R691
185	TX-INHIBIT	R690
244	PWR-SET	R689
385	GATE-BIAS	R688
510	TX-CNTRL	R687
519	VCO-MOD	R686
529	SY-DAT	R685
549	TCXO-MOD	R684
549	SY-CLK	R683
549	SY-EN	R682
549	PWR-SAVE	R681
549	LCK-DET	R680
549	RX-DET-AF	R679
388	RSSI	R678
388	FE-BIAS	R677
388	SOL-SET	R676
388	SOL-DET	R675
388	DCFB	R674
388	WB-WB	R673

© TAIT ELECTRONICS
 ORCA :TP010-3122 136-174MHZ
 PROCESSOR
 220-01588-01
 TAIT ORCA CJK

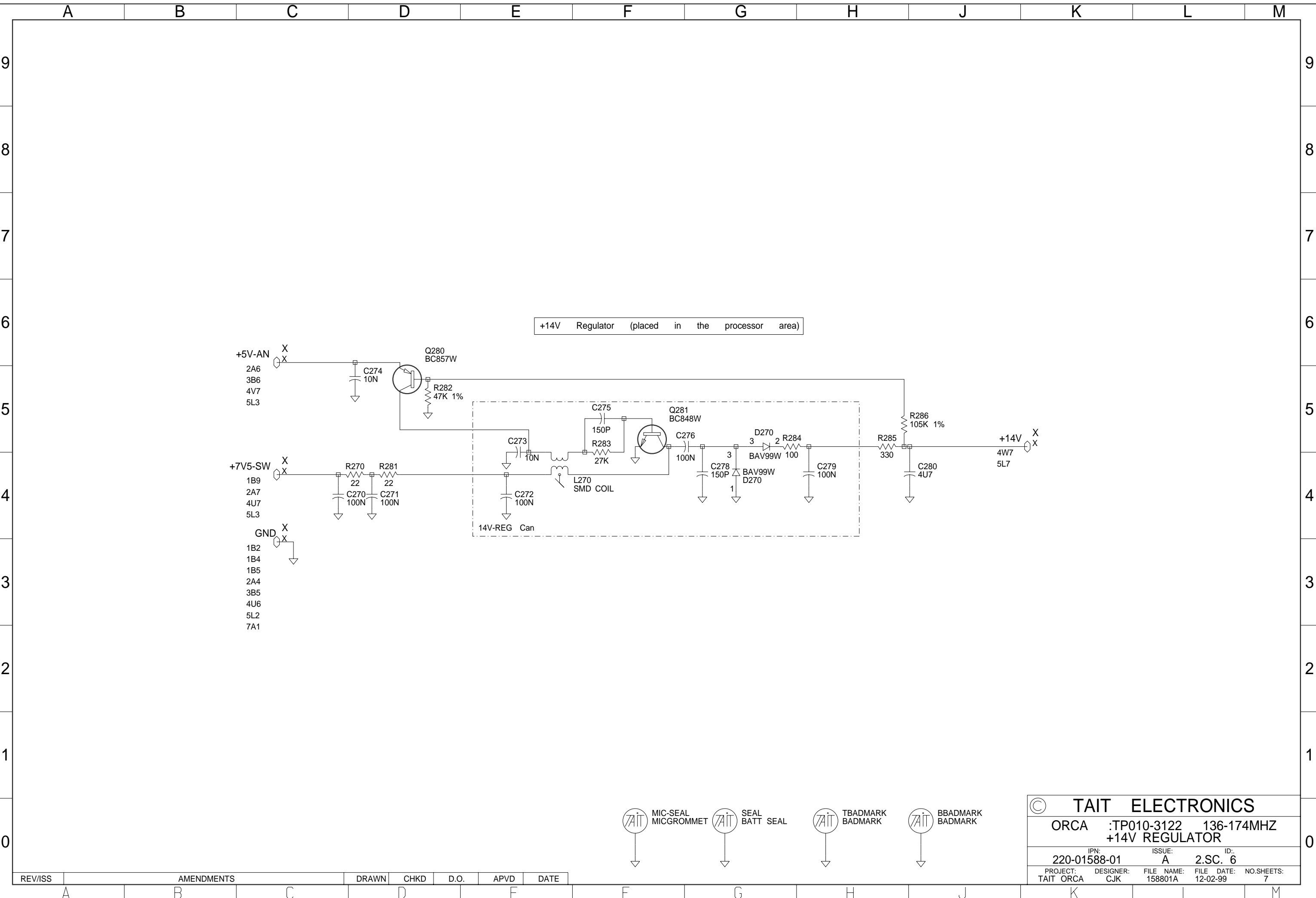
REV/ISS	AMENDMENTS	CJK	X	X	X	12/02/99
DRAWN	CHKD	D.O.	APVD	DATE		



© TAIT ELECTRONICS				
ORCA		:TP010-3122		136-174MHZ
SYNTHESISER				
IPN:	ISSUE:	ID:		
220-01588-01	A	2.SC. 5		
PROJECT:	DESIGNER:	FILE NAME:	FILE DATE:	NO.SHEETS:
TAIT ORCA	CJK	158801A	12-02-99	7

REV/ISS	AMENDMENTS	DRAWN	CHKD	D.O.	APVD	DATE

- X 2A6
- X 3B6
- X 4V7
- X 6C6
- X 7V5-SW
- X 1B9
- X 2A7
- X 4U7
- X 6C4
- X GND
- X 1B2
- X 1B4
- X 1B5
- X 2A4
- X 3B5
- X 4U6
- X 6C3
- X 7A1



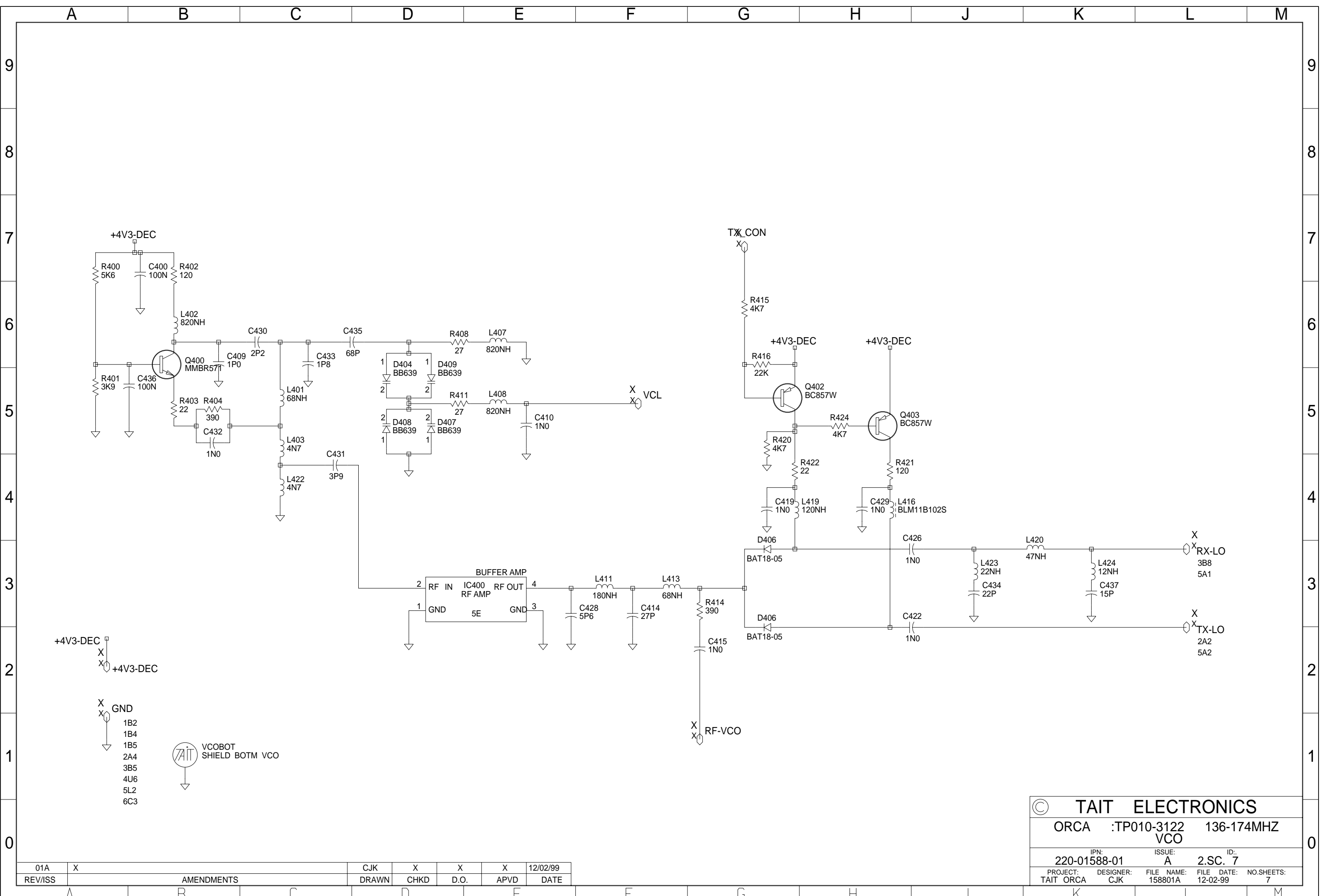
+14V Regulator (placed in the processor area)

- +5V-AN X
 - 2A6
 - 3B6
 - 4V7
 - 5L3
-
- +7V5-SW X
 - 1B9
 - 2A7
 - 4U7
 - 5L3
-
- GND X
 - 1B2
 - 1B4
 - 1B5
 - 2A4
 - 3B5
 - 4U6
 - 5L2
 - 7A1

- MIC-SEAL MICGROMMET
- SEAL BATT SEAL
- TBADMARK BADMARK
- BBADMARK BADMARK

© TAIT ELECTRONICS				
ORCA	:TP010-3122	136-174MHZ		
+14V REGULATOR				
IPN:	220-01588-01	ISSUE:	A	ID:
2.SC.	6			
PROJECT:	DESIGNER:	FILE NAME:	FILE DATE:	NO.SHEETS:
TAIT ORCA	CJK	158801A	12-02-99	7

REV/ISS	AMENDMENTS	DRAWN	CHKD	D.O.	APVD	DATE
---------	------------	-------	------	------	------	------

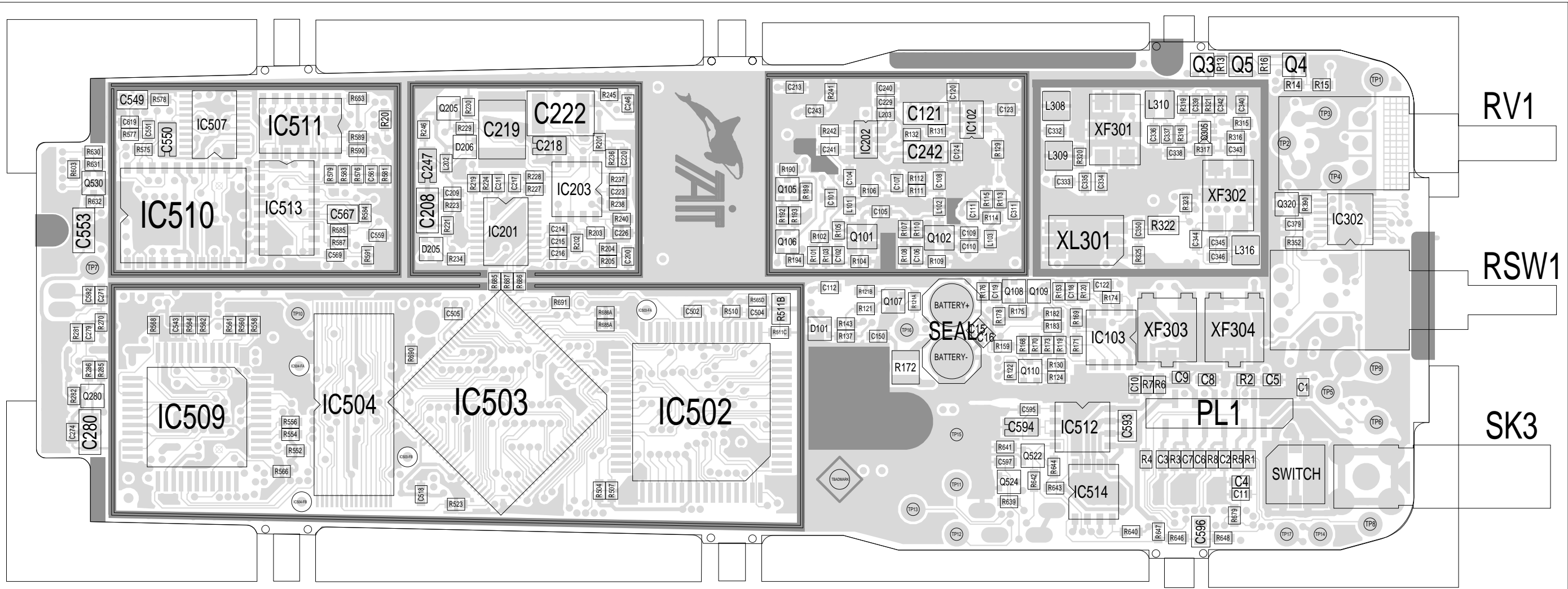


- +4V3-DEC
- X
- +4V3-DEC
- X
- GND
- X
- 1B2
- 1B4
- 1B5
- 2A4
- 3B5
- 4U6
- 5L2
- 6C3

VCOBOT
SHIELD BOTM VCO

© TAIT ELECTRONICS
 ORCA :TP010-3122 136-174MHZ
 VCO
 IPN: 220-01588-01 ISSUE: A ID: 2.SC. 7
 PROJECT: TAIT ORCA DESIGNER: CJK FILE NAME: 158801A FILE DATE: 12-02-99 NO.SHEETS: 7

01A	X		CJK	X	X	X	12/02/99
REV/ISS		AMENDMENTS	DRAWN	CHKD	D.O.	APVD	DATE



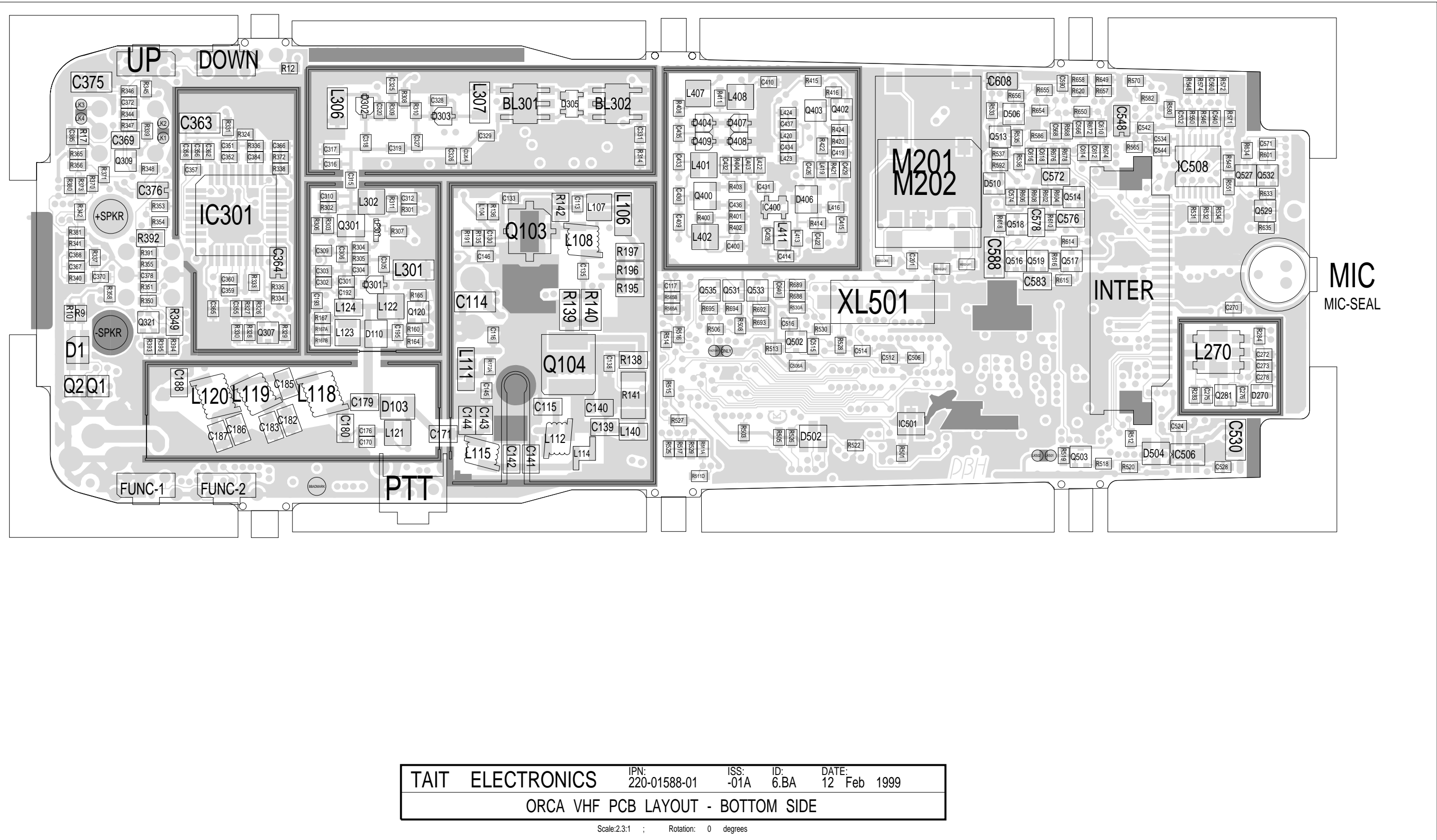
RV1

RSW1

SK3

TAIT ELECTRONICS	IPN: 220-01588-01	ISS: -01A	ID: 1.TA	DATE: 12 Feb 1999
ORCA VHF PCB LAYOUT - TOP SIDE				

Scale: 2.3:1 ; Rotation: 0 degrees



TAIT ELECTRONICS IPN: 220-01588-01 ISS: -01A ID: 6.BA DATE: 12 Feb 1999
 ORCA VHF PCB LAYOUT - BOTTOM SIDE

Scale: 2.3:1 ; Rotation: 0 degrees